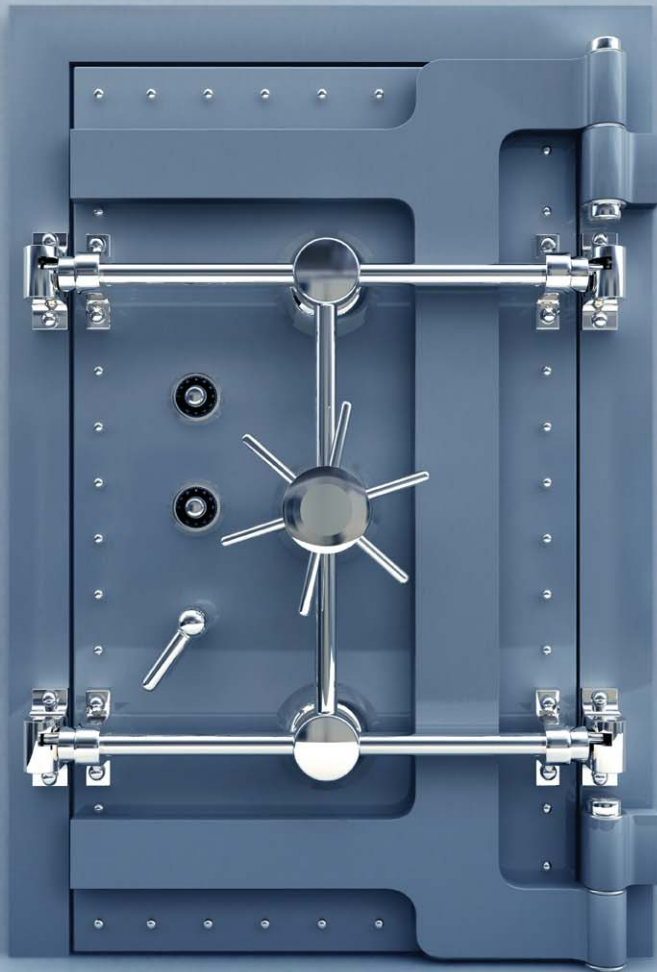


AN INTRODUCTION TO...



CAPITAL
INSURANCE BROKERS (CI) LTD

[CLICK HERE TO FIND OUT MORE...](#)



Understanding Capital?

Capital Insurance Brokers provide a confidential and personalised insurance facility to High Net Worth individuals and various entities including Corporate and Professional firms.

As Capital is a privately owned company we are not tied to any particular insurer, which enables us to meet each of our client's individual needs.

As a result of the clientele we continue to attract, Capital has gained the confidence of the general insurance market and accordingly have been rewarded with extremely competitive terms for all types of insurance policies.



Why choose Capital?

The insurance market is constantly changing and it is therefore imperative that brokers frequently review their client's insurance needs.

Our experienced team are able to discuss and negotiate directly with insurers at a senior level, which reflects in the terms provided. Capital also has strong associations with major companies within the 'Lloyds of London' market who act daily on our behalf when specialist insurance contracts are required.



Aviation

Comprehensive policies for the largest of executive and commercial aircraft, which incorporates full liability coverage and can be extended to include employers liability cover for both flight and ground crew.

COVER PROVIDED:

Commercial , Executive Jets, light aircraft & Helicopters.

Aviation Hull, Hull deductible, War Risks, Third Party Liability, European & Worldwide cover & Military Airfield Extension.



Marine

Via a major provider we are able to offer marine insurance and in addition a bespoke Mega Yacht Marine Hull policy that provides worldwide coverage. This policy is based on a 'luxury yacht' wording and includes, Protection & Indemnity, Personal Accident and Oversight Liability coverage.

Cover is also provided for the Domestic market and we provide Channel Island policies for both Power and Sail boats.

POLICY COVERAGE:

Marine Hull, Boat contents, Trailer & Outboard, Third Party Liability & Ski liability coverage.



Professional Indemnity

For the past 15 years we have maintained a close working relationship with a leading Professional Indemnity company in London. This team is recognised to be one of the most experienced within the London market and operate worldwide.

We currently place substantial policies on behalf of the Legal Profession, Trust Companies, Fund Managers and various Commercial entities. Expert claims handling and Advice is provided and policies are underwritten by major insurers and Lloyds of London Syndicates.

POLICY COVERAGE:

Indemnity limits from £ 500,000 to your requirement.

Directors & Officers, Fidelity & Inadvertent Non Disclosure.



Personal Lines

Household

High Net Worth policies that include as standard coverage:

- Accidental Damage cover for both Buildings and Contents
- 'All Risks' worldwide cover for jewellery
- Legal expense Protection
- Travel Insurance
- Fine Art , Antiques & Objet D'art
- Professional valuations can be arranged at your home.

WE ALSO PROVIDE POLICIES FOR:

Private Motor, Motor Fleets, Annual Travel, Overseas Holiday Homes and Investment Properties.





Commercial

We provide insurance facilities for virtually all types of Commercial activities. Each policy is carefully designed to ensure that all aspects of our client's business is adequately protected.

There is a large representation of general insurers based in Jersey and we maintain a strong relationship with most. We are regularly in negotiation with insurers to ensure that both terms and coverage remain adequate in order to protect our client's interests.

POLICIES IN RESPECT OF THE FOLLOWING ARE ALSO AVAILABLE:

Construction Industry
21.2.1
Latent Defects
Contract Works
Contractors Liability
Traders Combined

Commercial Cleaners
Hotel & Guest House
Property Owners
Office Insurance
Restaurant & Night Clubs
Retail Trading Risks



Claims

An integral part of being a successful insurance broker is to ensure that any claims that are notified are dealt with efficiently.

Capital are constantly aware that under some circumstances claims can be distressing to our client. From the outset we provide both Assistance and Guidance, from the initial notification to insurers to maintaining regular contact with both parties until we have achieved a successful conclusion.

To discuss or register a claim with our office please contact:

Sally Edmondson

Telephone: +44 (0) 1534 625604

Facsimile: +44 (0) 1534 746059

E-mail: sally@capitaljersey.com





[BACK](#) [HOME](#)

Contact us

For all enquires please contact:

Derek Marett, Managing Director
derek@capitaljersey.com

Telephone: +44 (0) 1534 746060

Direct dial: +44 (0) 1534 615887

Sally Edmondson, Office Manager
sally@capitaljersey.com

Telephone: +44 (0) 1534 746060

Direct dial: +44 (0) 1534 625604

Simon Marett, Development Manager
simon@capitaljersey.com

Telephone: +44 (0) 1534 746060

Direct dial: +44 (0) 1534 610851

Alternatively visit www.capitaljersey.com



CAPITAL
INSURANCE BROKERS (CI) LTD